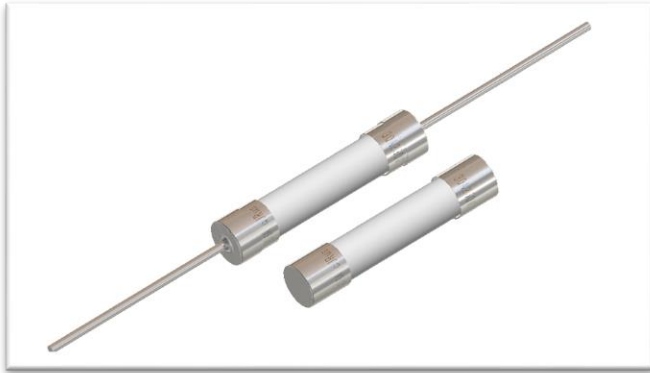


## Type CTA

## Time-Lag Ceramic Tube Fuse Series



### Description

500mA to 10A, 125V/250V/660V in accordance to UL 248-1/UL 248-14

### Operating Temperature

-55°C~+125°C

### Soldering Method

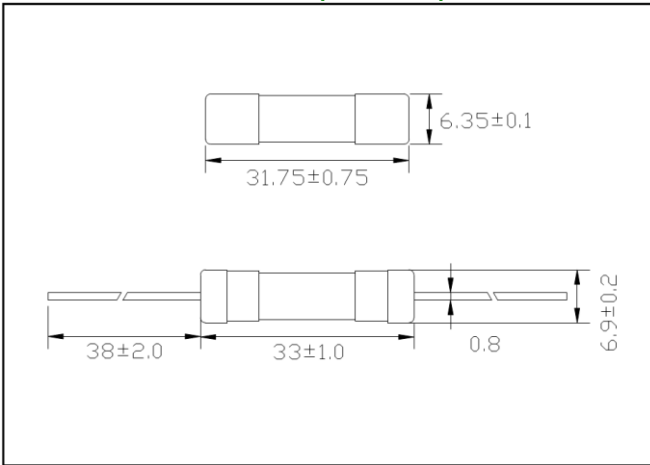
Wave soldering: 260°C, 10s max.

Manual soldering: 350°C, 5s max.

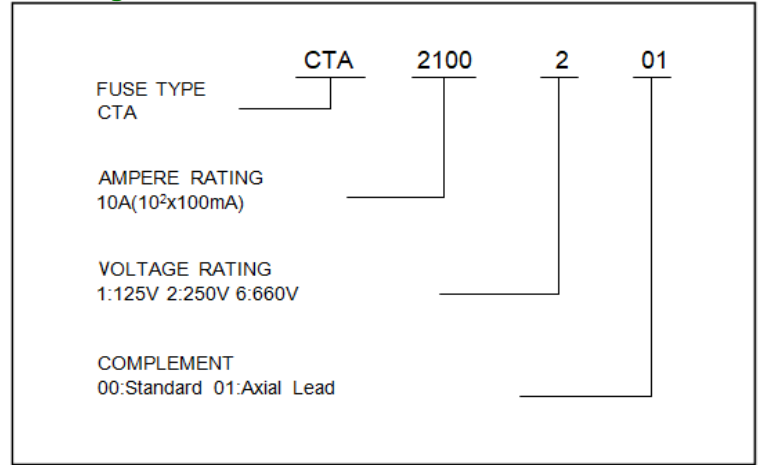
### Packaging Option

Standard pack of 200pcs per box and 100pcs for Axial Lead

### Mechanical Dimensions(Unit:mm)



### Ordering Information



### Agency Approvals.

Safety Agency	Agency File Number	Ampere Range Volt@I.R.ABILITY
	E485357	500mA~10A 10kA@125V AC 500mA~10A 1000A@250V AC 500mA~10A 750A@250V AC 500mA~10A 200A@660V AC

### Electrical Characteristics for Series

% of Ampere Rating	Opening Time
100%	4hour Min
200%	30min Max
1000%	0.020sec~0.250sec

### Electrical Characteristic Specifications by Item

Catalog Number	Ampere Rating	Voltage Rating(V)	Breaking Capacity	Nominal Melting I <sup>2</sup> t(A <sup>2</sup> sec.)	Approvals
					cULus
CTA0500	500mA	125V AC 250V AC 660V AC	10000A@125V AC 1000A@250V AC 750A@250V AC 200A@660V AC	1.520	●
CTA0630	630mA			1.820	●
CTA0800	800mA			5.300	●
CTA1100	1A			6.767	●
CTA1125	1.25A			14.20	●
CTA1150	1.5A			26.30	●
CTA1200	2A			41.40	●
CTA1250	2.5A			67.76	●
CTA1300	3A			101.3	●
CTA1315	3.15A			103.2	●
CTA1400	4A			171.7	●
CTA1500	5A			250.2	●
CTA1600	6A			373.0	●
CTA1700	7A			526.2	●
CTA1800	8A			716.1	●
CTA2100	10A			934.3	●

Type CTA  
Time-Lag Ceramic Tube Fuse Series



**Packaging**

Packaging Option	Packaging Specification	Quantity
Standard	N / A	200
Axial Lead	N / A	100